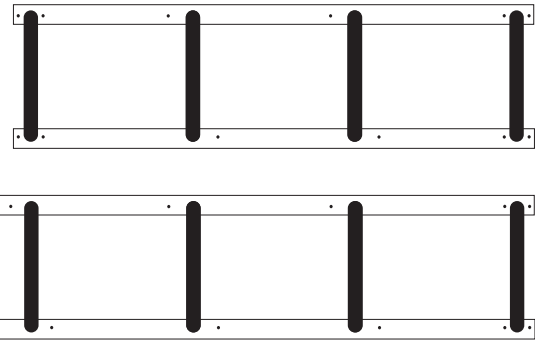


Top Views



MATERIAL

2 3/8" O.D. Pipe
Schedule 40 Pipe
.154" Wall Thickness

FLANGE

5" X 3/8"
Single Rack

BASE PLATE

3" X 3/8" Flatbar

OPTIONAL

2" Square Tube
custom spacing of hoops
diagonal placement of hoops
Inground

WELLE™ SERIES RACK SURFACE FLANGE

Model	Mount	#Of Loops	Bike Capacity	Length	Front View
WSH3602	-SF Surface Flange	1	2	5"	
WSH3604		2	4	30"	
WSH3606	-G Galvanized -P Powder Coated -SS Stainless Steel	3	6	54"	
WSH3608		4	8	78"	
WSH3610		5	10	102"	